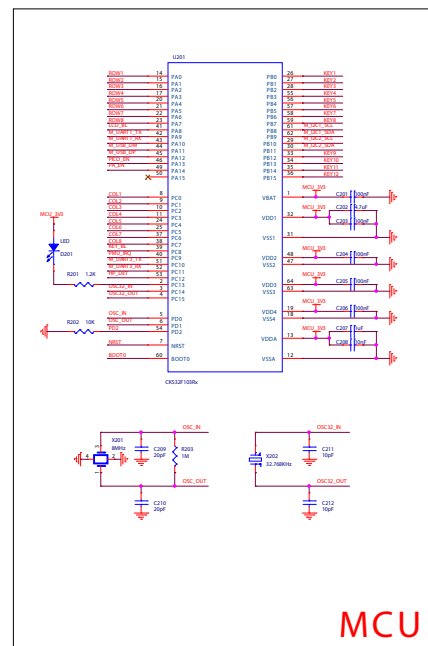
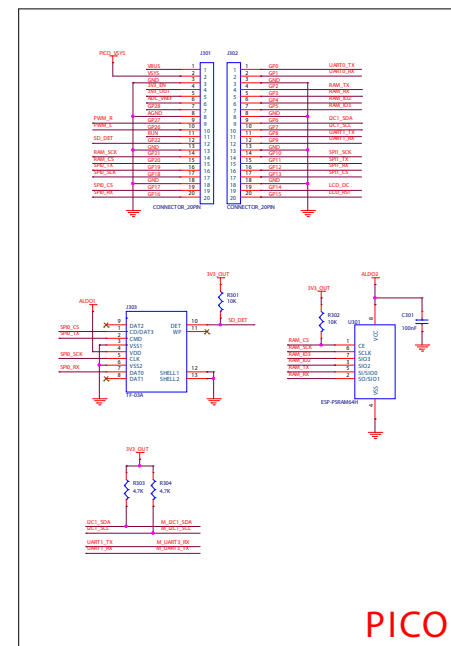


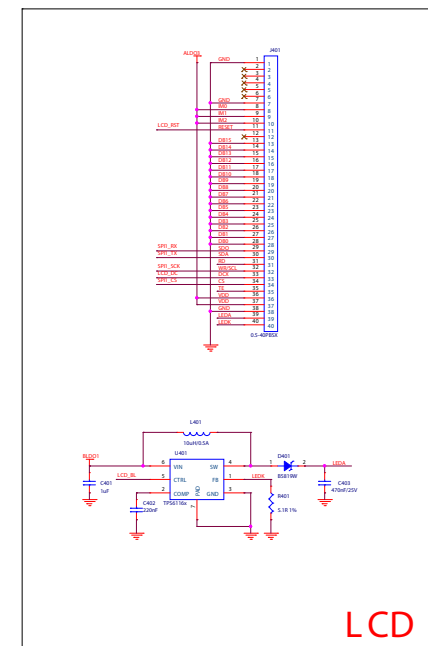
POWER



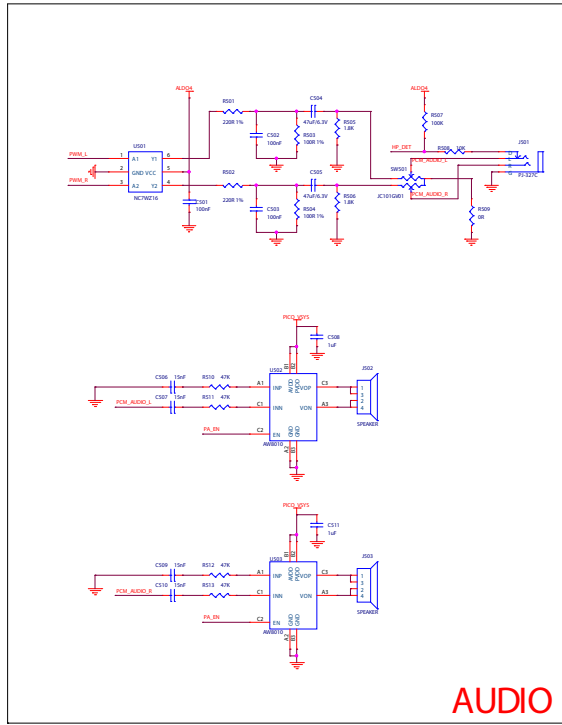
MCU



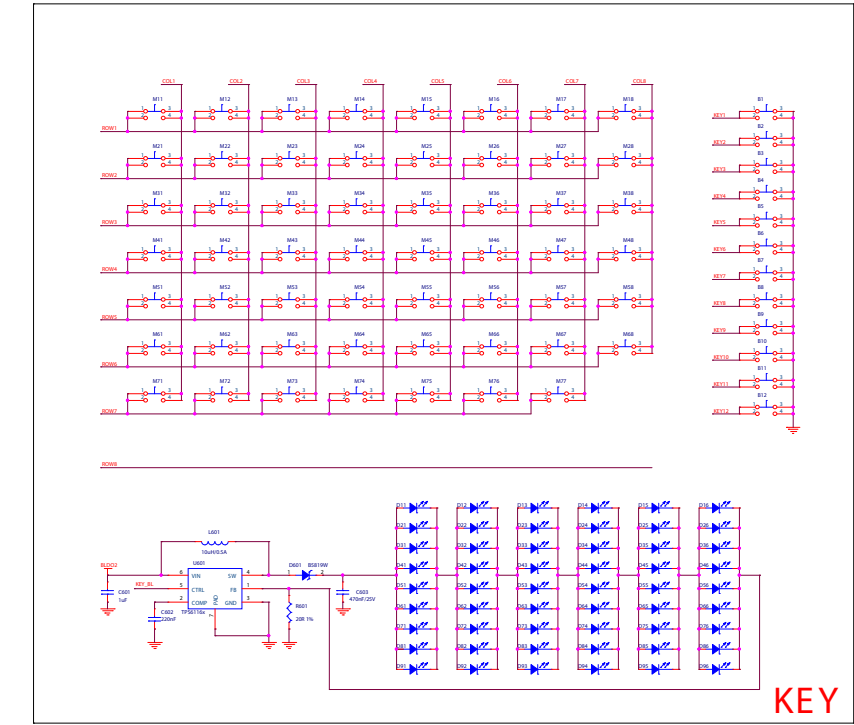
PICO



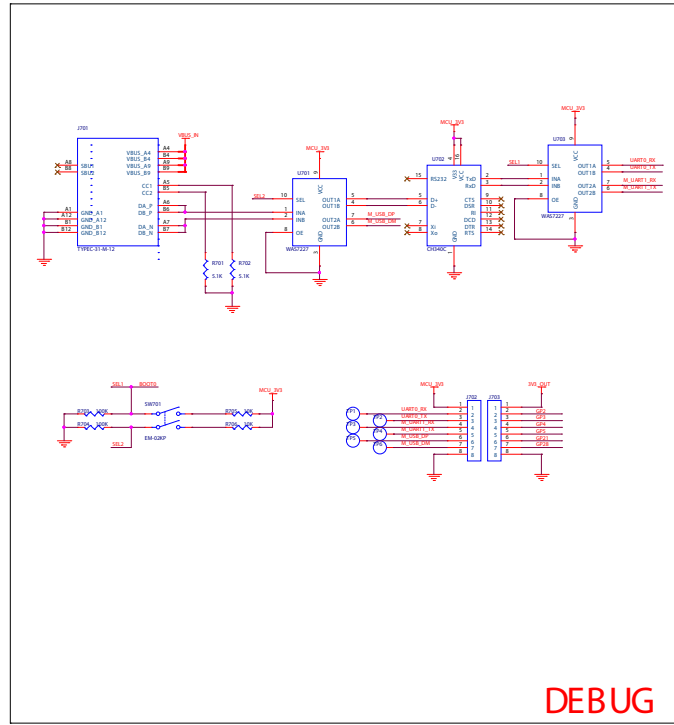
LCD



AUDIO



KEY



DEBUG