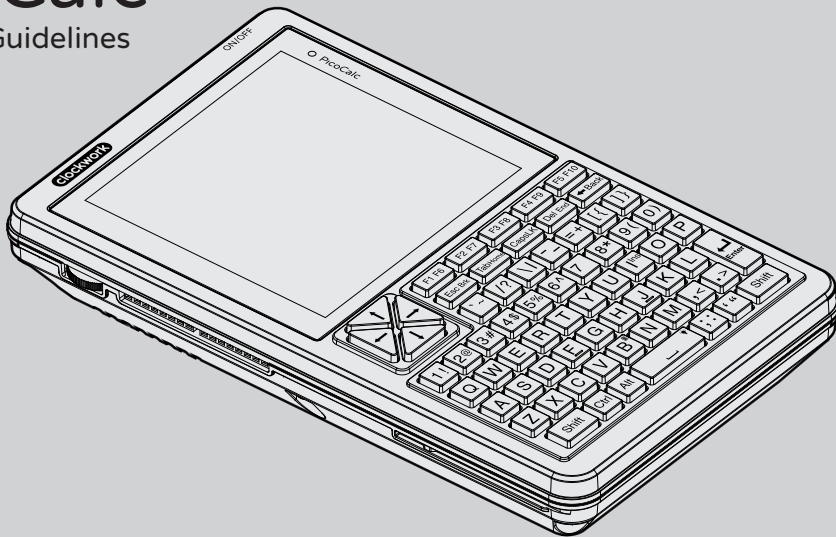


PicoCalc

Assembly Guidelines




Open-source


Open-source
hardware


Open-design


Highly Hackable

**DON'T
PANIC**
Easy assembly
design



Index & Check List

A. Mount the Speakers

B. Mount the Screen

C. Mount the Keycaps

D. Mount the Core

E. Mount the Mainboard

F. Connect the screen FPC cable

G. Insert the SD card

H. Mount the Back Shell

I. Mount the 18650 Batteries

J. Mount the battery cover

K. Install the display glass

L. Power ON/OFF

The Interfaces

FAQ



Important Reminders

Warning

Suffocation risk! The product contains small parts.

Please keep the electronic parts and components away from static electricity, humidity, strong magnetic fields, and avoid outdoor environments to prevent damage.

Please observe local laws and regulations for the use of Wi-Fi and radio.

Assembly Precautions

Attention! The product is not a toy, and is unsuitable for users under the age of 11.

Attention! Users aged between 11 and 16 may only assemble the product with adult supervision.

Attention! Please read the user guide and follow the steps specified to assemble the product.



Use of Tools and Precautions

The assembly does not require professional skills nor tools (glue and soldering iron).

Previous experience with assembling models may help you put the product together quickly.

Precautions For Use

PicoCalc can only be used or stored indoors at a temperature of 0-35 degrees Celsius.

Do not use PicoCalc to charge other electronic devices such as smartphones.

Please use a high-quality phone charger (5V 2A) and USB-C cable to power and charge the product.

Important Reminders

Use Of 18650 Rechargeable Li-ion Battery

Attention! Rechargeable li-ion batteries are NOT included in the package.

You need to buy two 18650 batteries by yourself.

Please buy 18650 batteries that are certified in accordance to local laws and regulations.

In the PicoCalc battery container, "+" marks the positive electrode, and "-" the negative electrode. Please make sure that the 18650 batteries are inserted in the appropriate directions.

Get Support

If you encounter any problem related to the product and its assembly and use, please visit <https://forum.clockworkpi.com> or send an email to help@clockworkpi.com with a detailed description of your problem or request. We will offer you technical support in a timely manner.

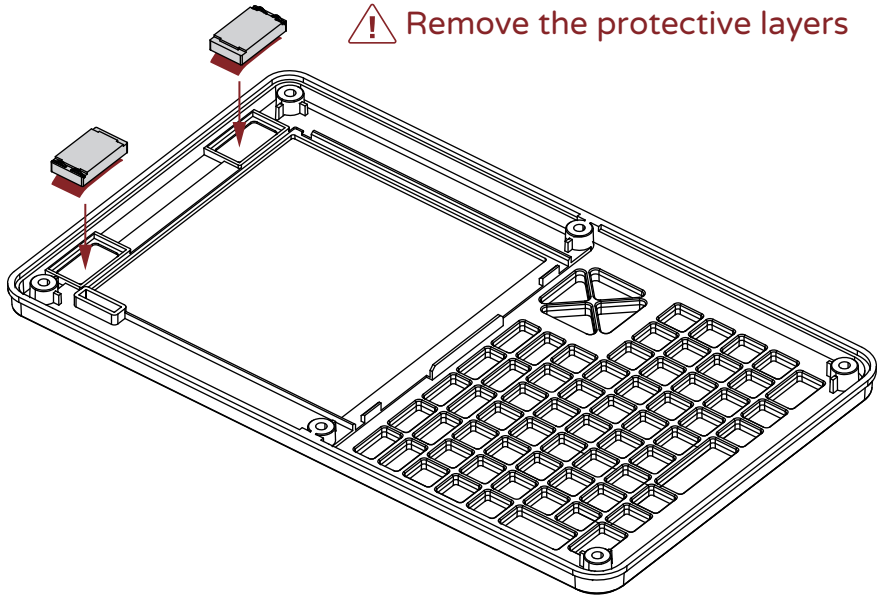
Join The Clockwork Online Community

To discuss and share with PicoCalc players and developers, you can visit <https://forum.clockworkpi.com>. A community of innovative players from across the world and the Clockwork team are waiting for you!

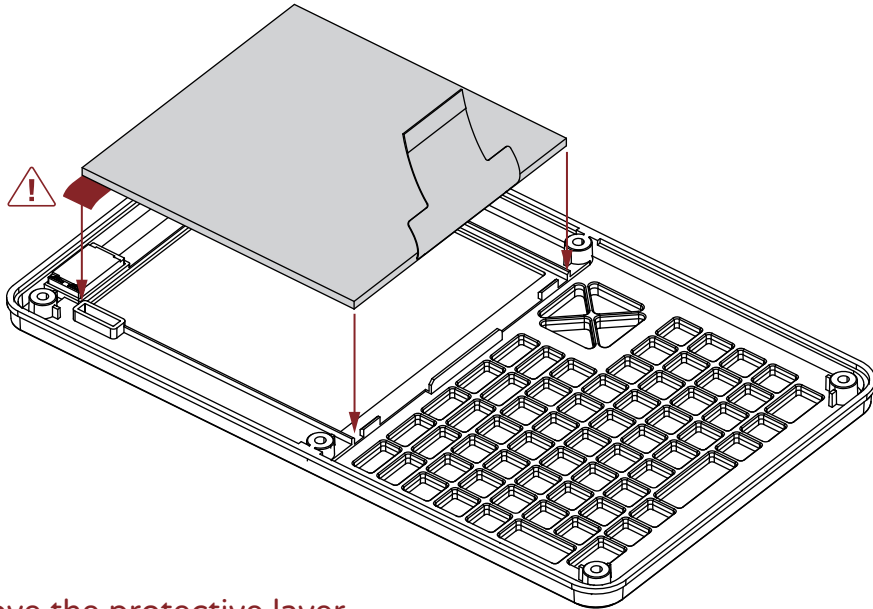
Clockwork Tech LLC reserves the legal right to interpret these "important reminders".

The Company cannot be held responsible for any component damage, property loss or personal injury caused by the use of non-compliant batteries, improper use of batteries, and incorrect charging methods.

A. Mount the Speakers

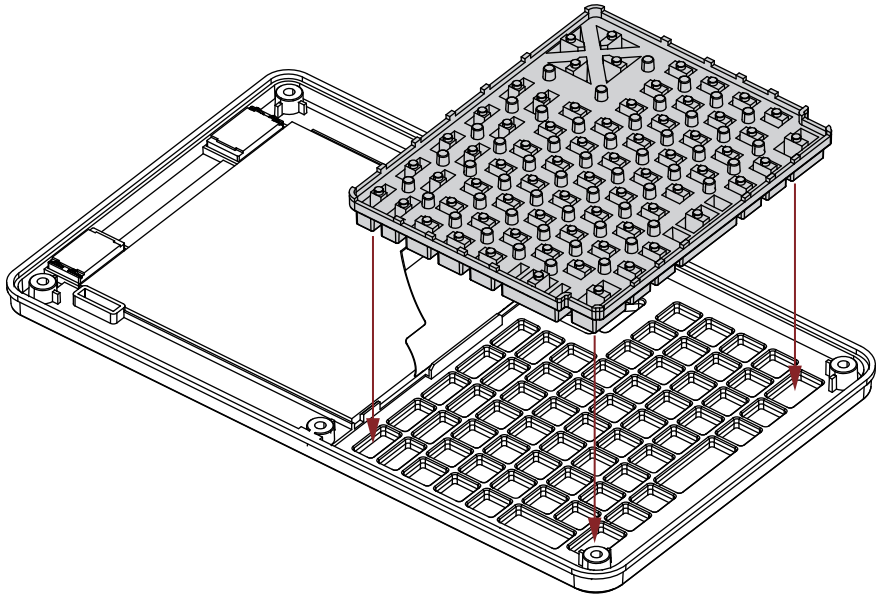


B. Mount the Screen

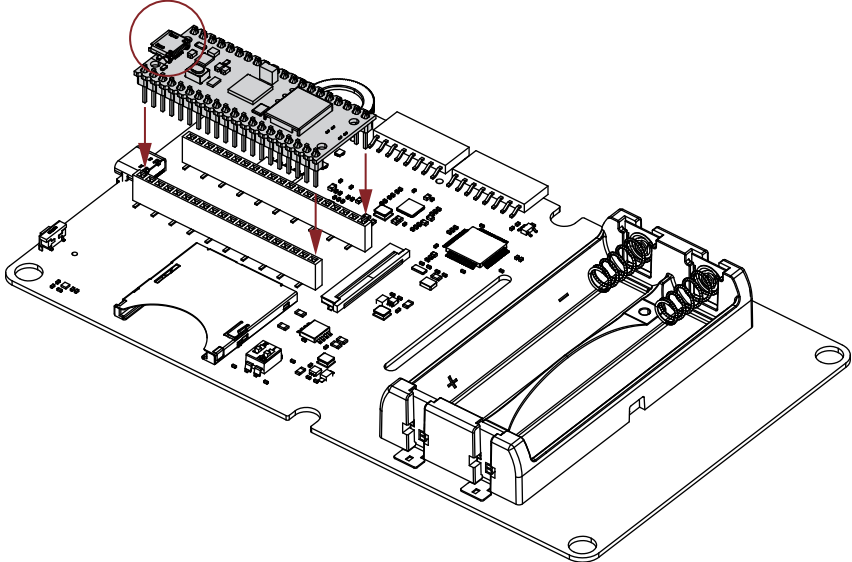


 Remove the protective layer

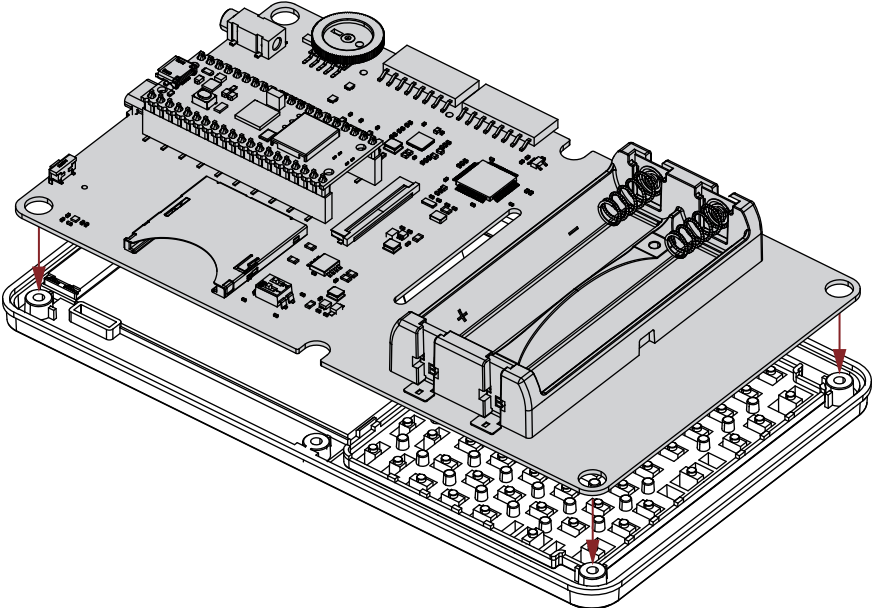
C. Mount the Keycaps



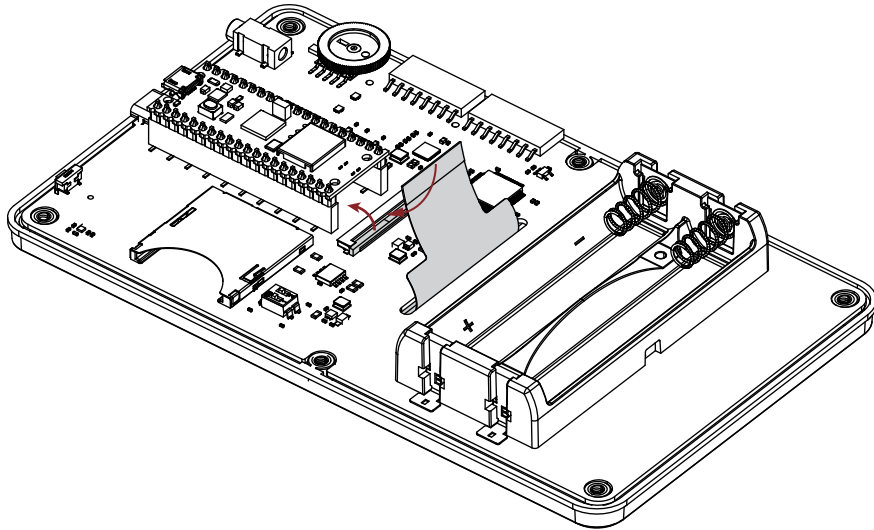
D. Mount the Core



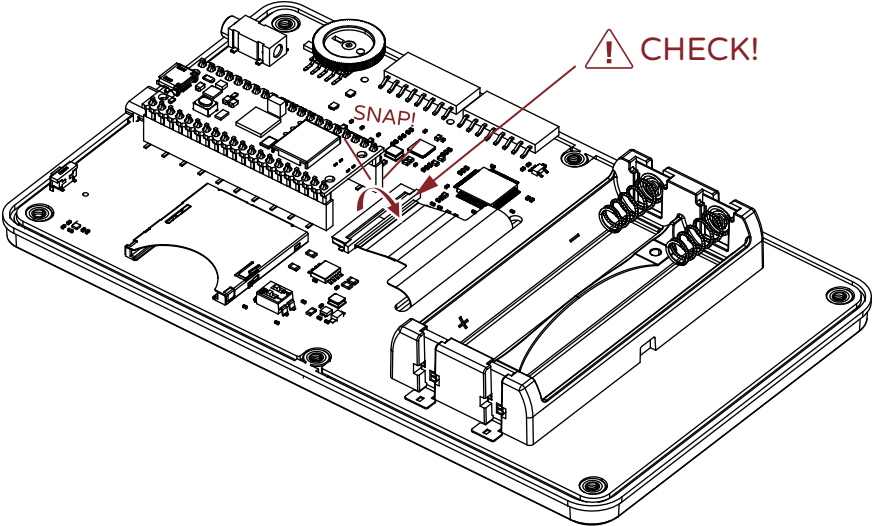
E. Mount the Mainboard



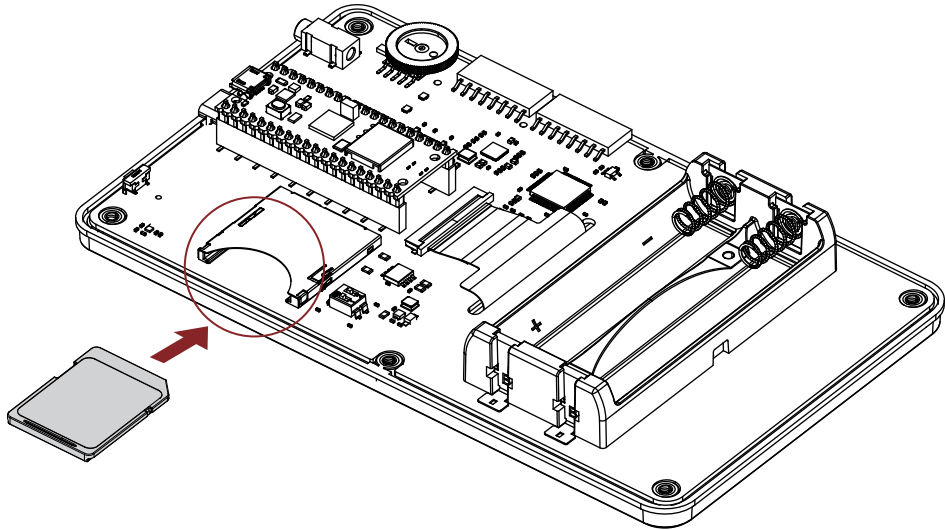
F0. Connect the screen FPC cable



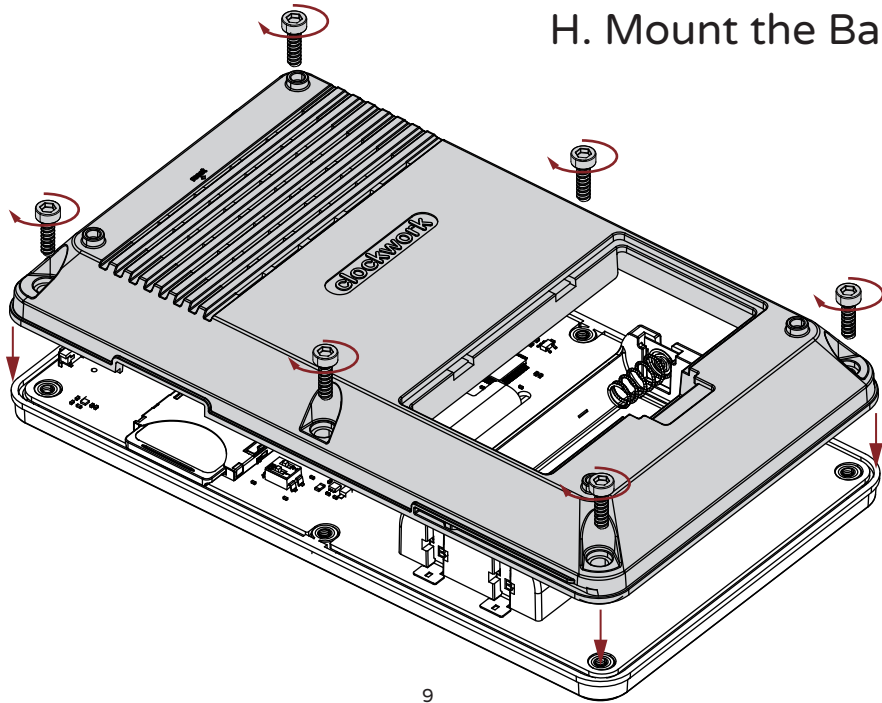
F1. Connect the screen FPC cable



G. Insert the SD card

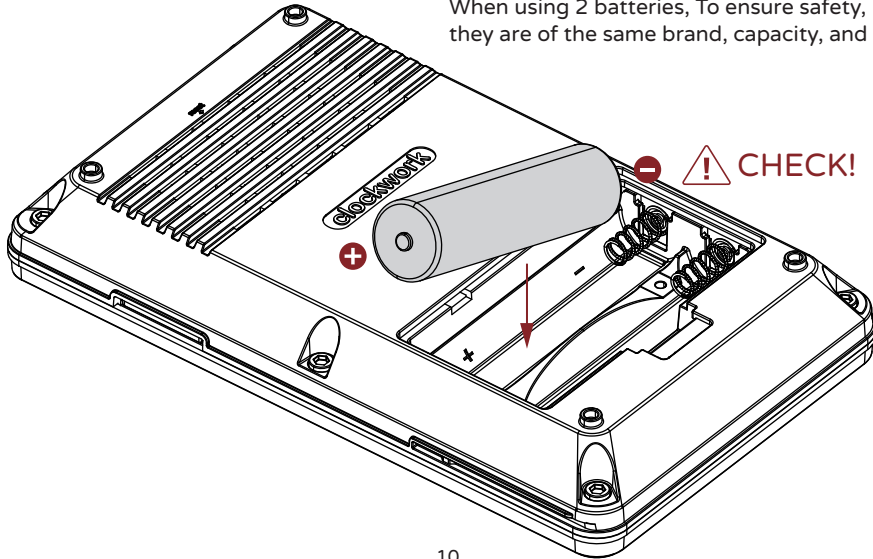


H. Mount the Back Shell

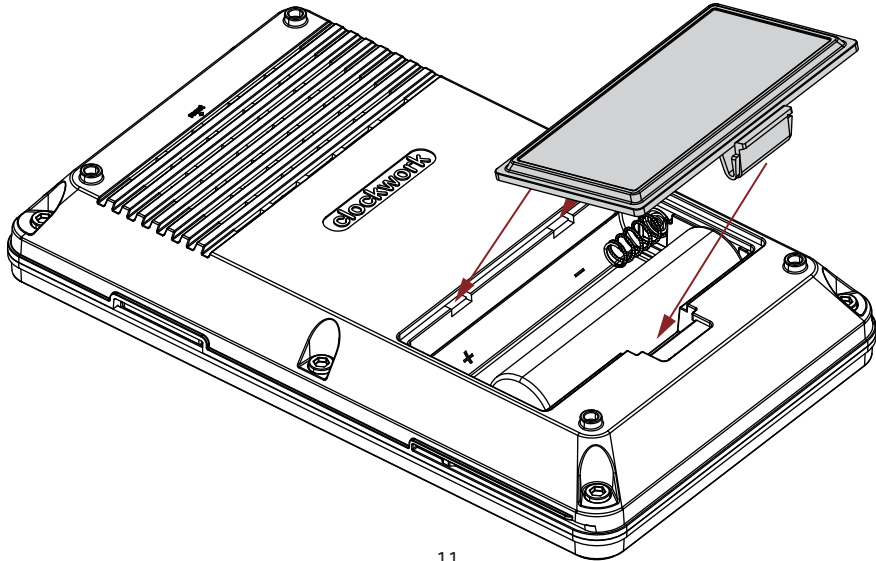


I. Mount the 18650 Batteries

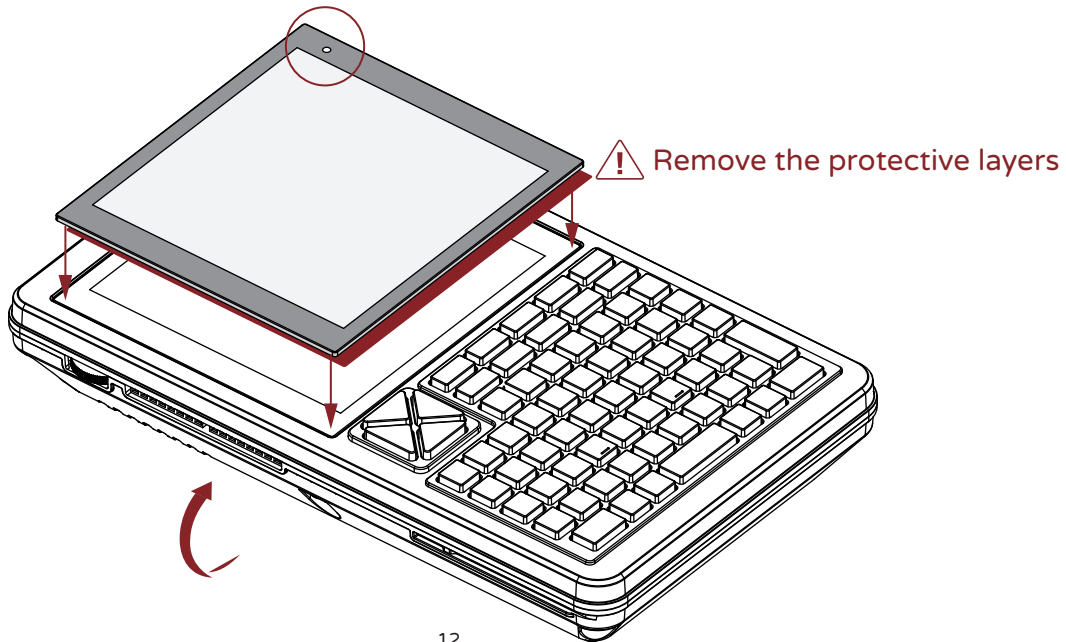
PicoCalc supports using 1 or 2 18650 batteries. When using 2 batteries, To ensure safety, make sure they are of the same brand, capacity, and charge level.



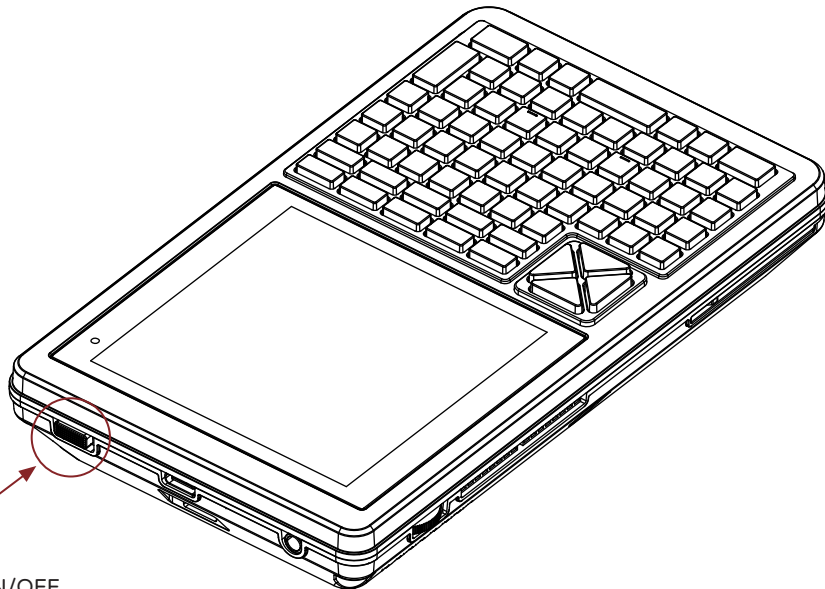
J. Mount the battery cover



K. Install the display glass



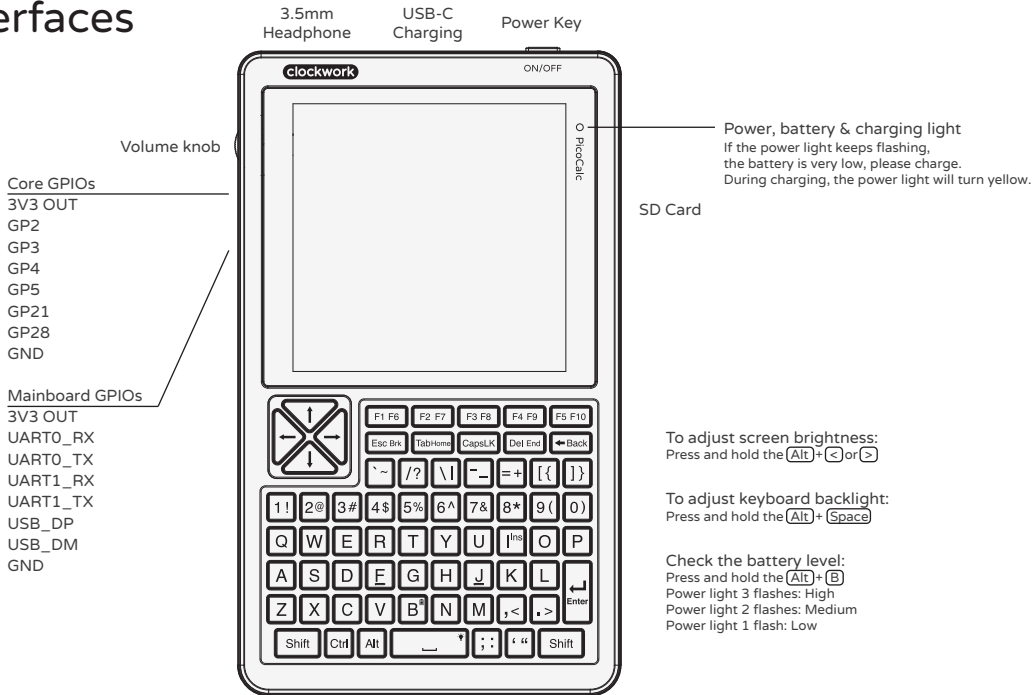
L. Power ON/OFF



Power ON/OFF

Pressing and holding the "ON/OFF" button for 1 second

The Interfaces



Power On

- Make sure that the batteries are fully charged and installed correctly.
- The PicoCalc can be powered by 5V-2A USB-C power supply.
- Pressing and holding the "ON/OFF" button for 1 second.

How to Charge

- Use ONLY 5V-2A USB-C charger.
- Please use a high-quality USB-C cable.

18650 Battery

- The 18650 batteries are not included in this package due to global logistics complexity for lithium batteries.
- Please remove the batteries if you do not use the device for a long time.
- Please consult the batteries supplier for detailed 18650 safe usage rules, and strictly follow them.

PicoCalc UF2 files

- UF2 files download URL: <https://github.com/clockworkpi>
- To flash a UF2 file onto a Raspberry Pi Pico, hold down the "BOOTSEL" button on the Pico while plugging it into a USB port, then simply drag and drop the UF2 file into the removable drive that shows on your computer.

Warranty

- The PicoCalc Kit has a 6-month warranty starting since delivery is made.
- Please keep the receipt or screenshot with delivery date.
- For after-sales requests, please send an email with your order number, the issue and some pictures, videos to help@clockworkpi.com

How to Purchase Parts

- Please go to <https://clockworkpi.com/shop> to purchase the parts.
- You can also download 3D-printing files (STL & STP) in our online shop to print the parts.

Open Source & Open Design

- PicoCalc follows the "Hacker-friendly" concept and modular design. The open-source development kit (including structure, software, hardware, and documentation) combines high performance, portability, and scalability features.
- Please visit our GitHub: <https://github.com/clockworkpi>

Join ClockworkPi Community

- Please join our community on <https://forum.clockworkpi.com>
- Meet our friends from all over the world and share your unique ideas!

clockwork



WARNING
STATIC
SENSITIVE
DEVICES



MADE IN CHINA